

HUBER+SUHNER® DATA SHEET

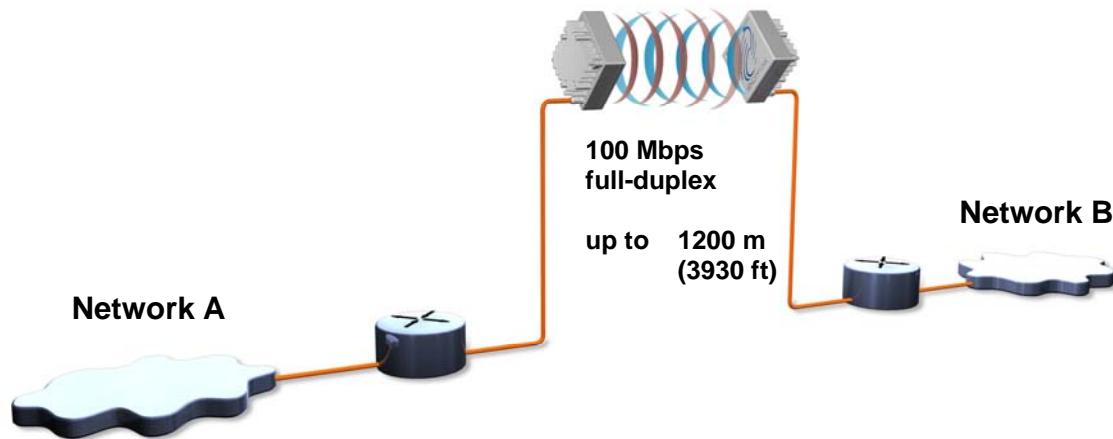
Wireless Ethernet Bridge: SL60-6004



Rev.: A

Description

SENCITY® LINK is designed to work as a point-to-point data link in the 60 GHz unlicensed band. It supports a variety of short range applications up to 1200 m (3930 ft). The signal absorption by oxygen and the narrow beam width of the high gain planar antenna allows for high spatial reuse and a high security level.



Benefits

Easy installation – The concept of the SENCITY® LINK allows to the end user to install it as easy as any other network component.

The single cable solution reduces the complexity of the installation. The radio unit is connected to the network and supplied with power through a single outdoor rated Cat5e Ethernet cable.

The visual alignment tool allows the user to easily install the link. Immediate operation without the need of additional configuration is granted.

Network performance – Guaranteed full duplex 100 Mbps along the complete range. Unlike typical WLAN equipment the user can transmit a full 100 Mbps over the link.

License free operation – The system has been approved for operation by the FCC and Industry Canada authorities.

System administration – To monitor the status and the traffic the user can access the link statistics either via the HTML user interface or by integrating it into a network management tool via SNMP.

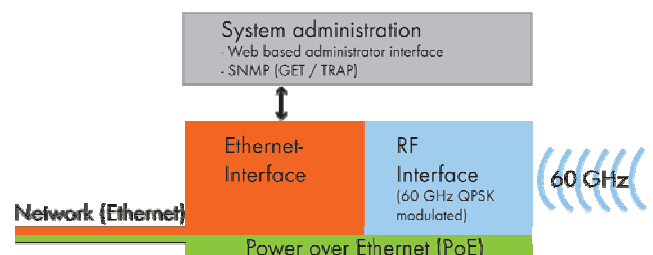
Security – The proprietary radio interface does not allow any other system to access the 60 GHz transmitted data.

A high level of data security is inherent in the product via signal absorption by atmospheric oxygen and the use of high gain/narrow beam width antennas.

Applications

- LAN extension
- Redundant access
- Campus connectivity
- Disaster recovery
- Wireless backhaul
- Centralization of IT infrastructure
- Temporary connections during events
- Mesh and multipoint networking

System block diagram



HUBER+SUHNER® DATA SHEET

Wireless Ethernet Bridge: SL60-6004



Rev.: A

Technical data

General system information

Transmission Capacity: 100 Mbps full duplex
 Ethernet frame size: max. 1916 bytes
 Latency: < 50 µs
 Range*: up to 1200 m (3930 ft)
 Availability*: up to 99.999%

*The range depends on the climate zone and the requested availability

Connection

Interface: 100 Base-TX
 Cable Length: max. 100 m (300 ft)
 Signal Wires: CAT 5e
 Connector: RJ45 (seal kit included)

Mechanical data

Dimension: 340 x 340 x 71 mm
 (13.4" x 13.4" x 2.8")
 Weight: 7500 g (16.5 lb) terminal
 1000 g (2.2 lb) bracket

System administration

Management: SNMP (get / trap)
 Web browser-based

Power supply

Standard: PoE (IEEE 802.3af)
 Power Consumption: 11 W

Environmental data

ETSI EN 300 019-2-4 T 4.1E for telecommunications equipment non-weather protected locations - extended

Radio Interface

Frequency: 59.375 / 62.225 GHz (FDD)
 Modulation: QPSK

Regulatory Compliance

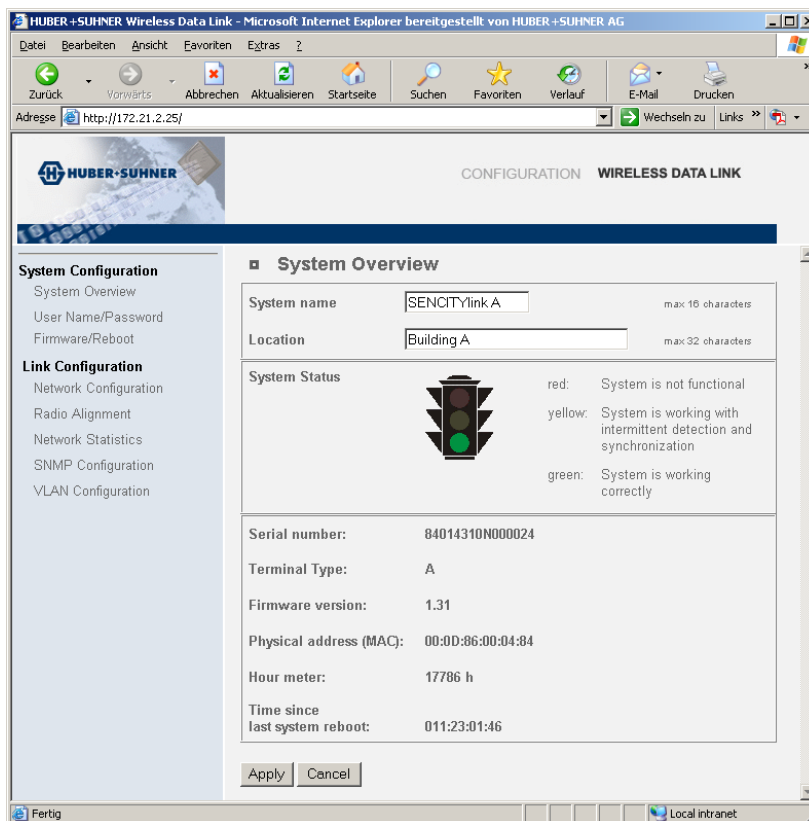
EN 50371, EN 55022, EN 55024, EN 60950-1, EN 302 217-3, EN 302 217-4-2, FCC Part 15, IC RSS210, RIR0302-47, BNA Mitteilung 217 /2008

Order Information (link i.e. two terminals)

SL60-6004 84071429 1200 m range**

** guaranteed minimum range performance measured on the indoor test branch simulating path loss excluding rain attenuation

User interface

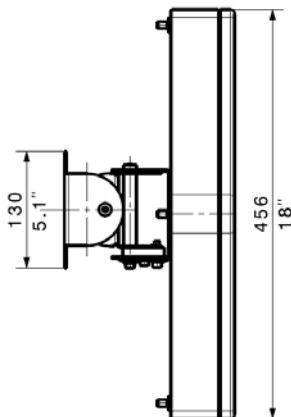
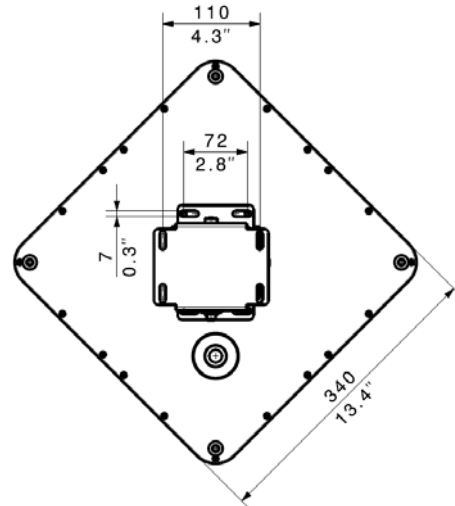
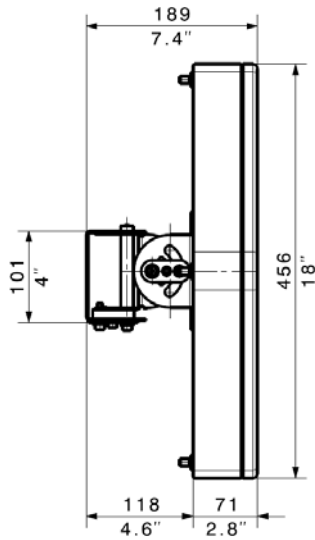


HUBER+SUHNER® DATA SHEET

Wireless Ethernet Bridge: SL60-6004



Outline Drawing



HUBER+SUHNER is certified according to ISO 9001 and ISO 14001

WAIVER!
It is exclusively in written agreements that we provide our customers with warrants and representations as to the technical contained specifications and/or the fitness for any particular purpose. The facts and figures herein are carefully compiled to the best of our knowledge, but they are intended for general informational purposes only.



HUBER+SUHNER AG
RF Technology
9100 Herisau, Switzerland
Phone +41 71 353 4111
Fax +41 71 353 4590
www.hubersuhner.com/sl60

HUBER+SUHNER – Excellence in Connectivity Solutions

Issued: 2008-09-26

Page 3/3